

REP.	REFERENCE	PDS	NB
1	2536.5501	3,1	1
2	2536.5502	3,1	1
3	2536.5503	1,9	1
4	2536.5504	1,9	1
5	2536.5505	1,8	1
6	2536.5506	1,8	1
7	2536.5507	2,0	1
8	2536.5508	2,0	1
9	2536.5509	3,4	1
10	2536.5510	3,4	1
11	2536.5511	2,0	1
12	2536.5512	2,0	1
13	2536.5513	0,03	4
14	2536.5514	2,7	1
15	2536.5515	2,7	1

M 6-25	4
M 8-25	6
M 8-30	2
M 8-40	4
M 12-40	2

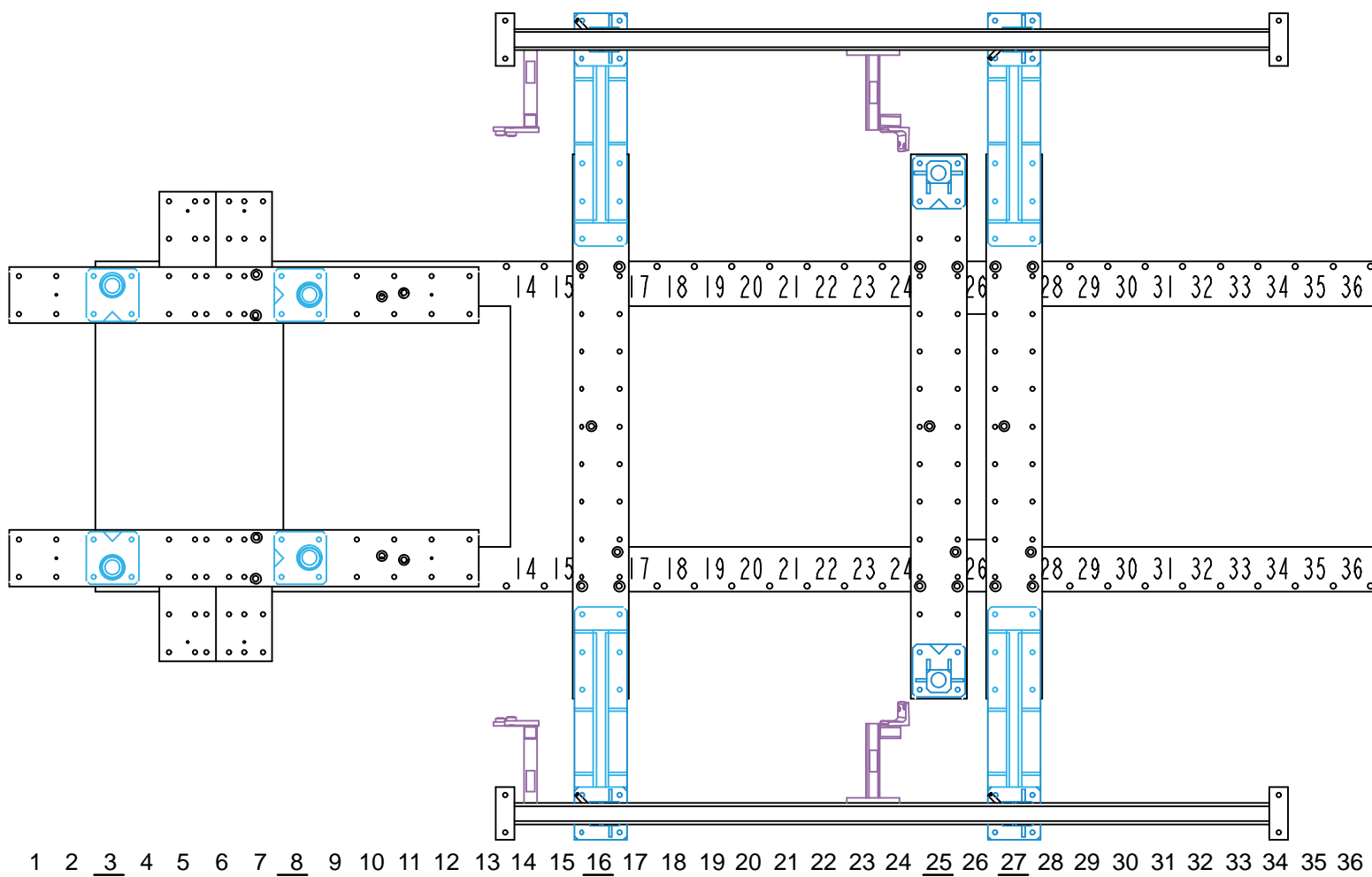
complément au
complementary set to
complemento al
zusatz zu

2536.500
+
9113.023

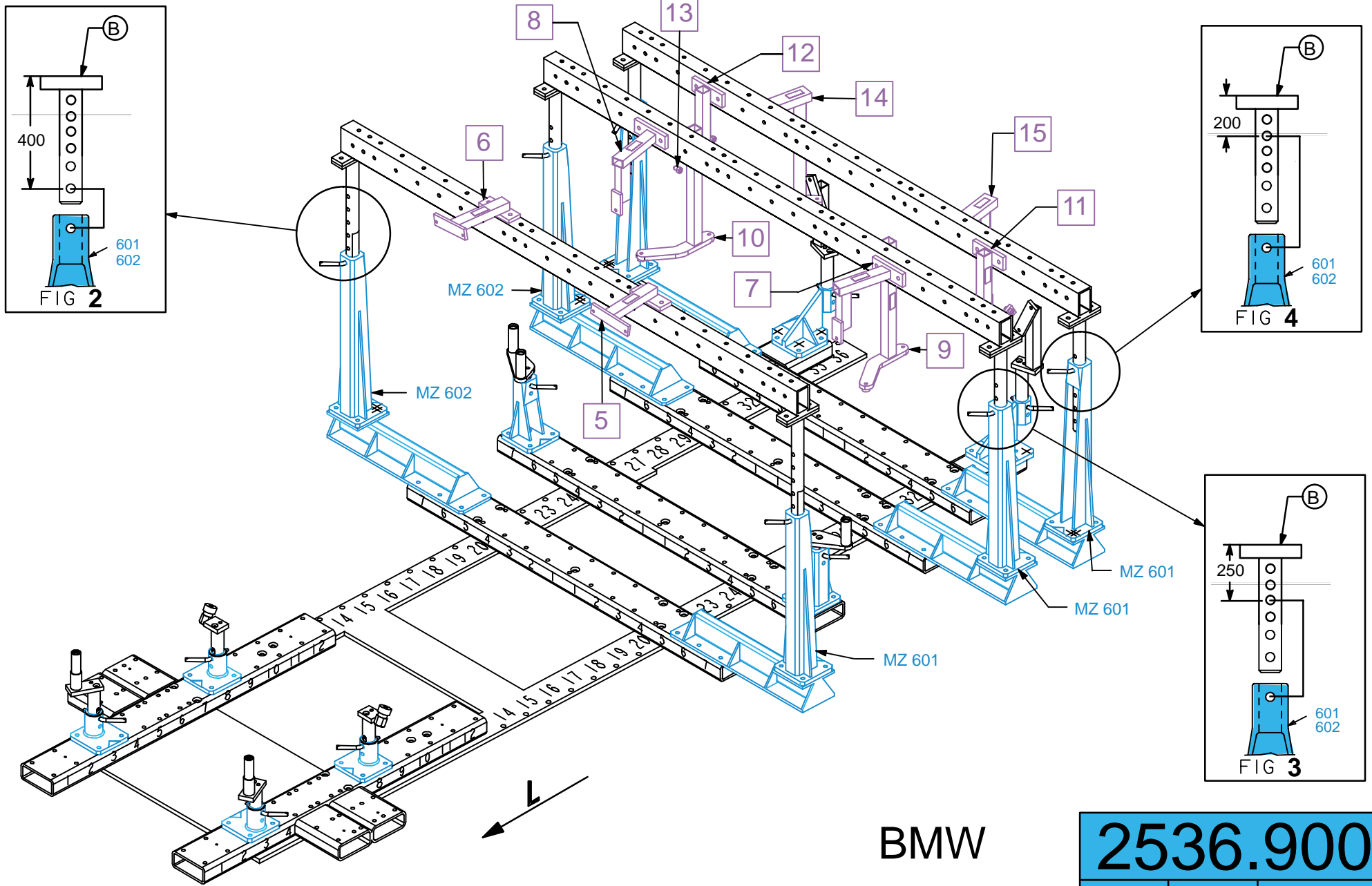
2536.900

35 Kg | 12.02.2009 | 2536.900-RVA3-1

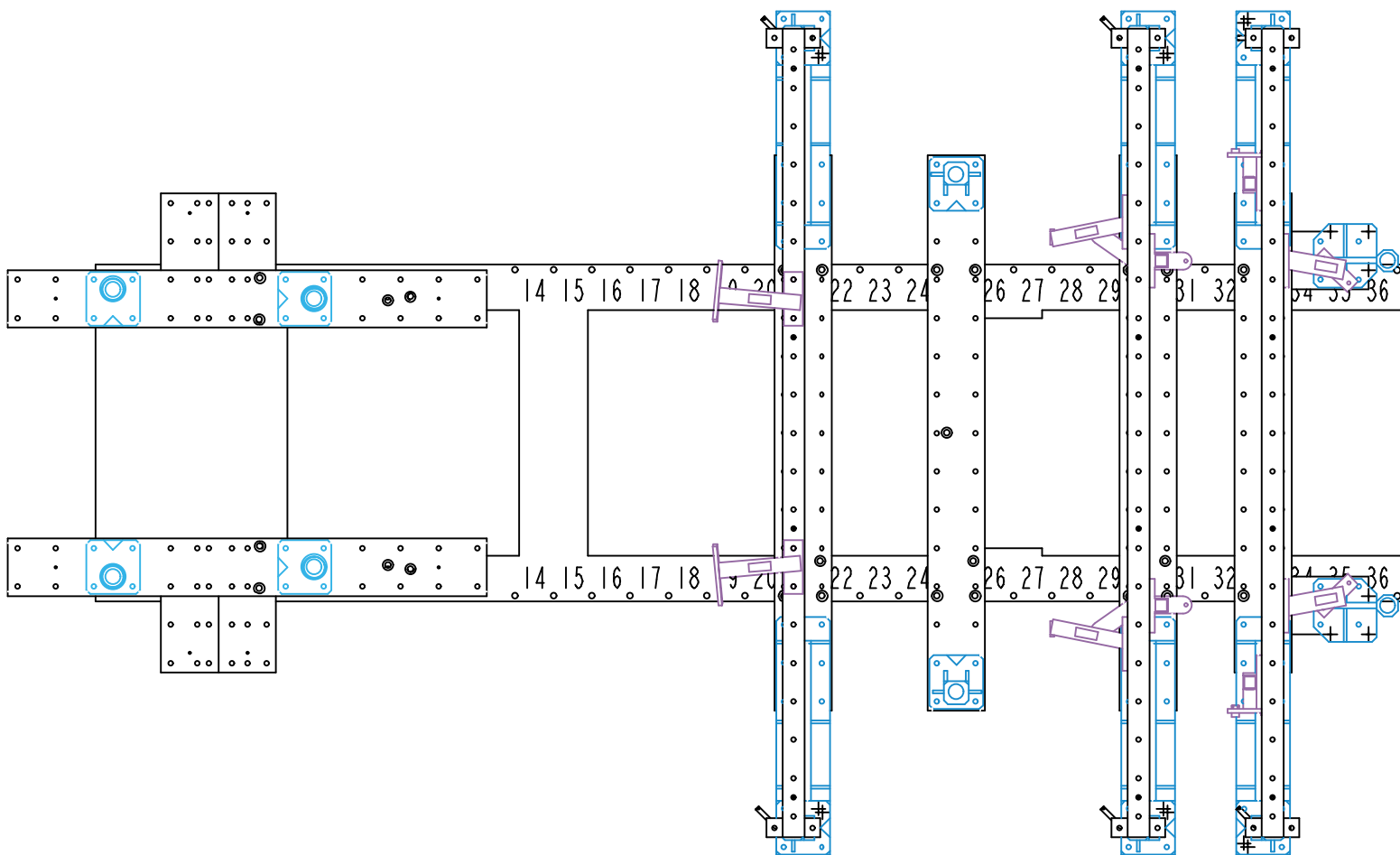
BMW



2536.900-RA3-1 | 00



2536.900
 35 Kg | 12.02.2009 | 2536.900-RVA3-1



1 2 3 4 5 6 7 8 9 10 11 12 13 14 15 16 17 18 19 20 21 22 23 24 25 26 27 28 29 30 31 32 33 34 35 36



2536.900-RVA3-1 | 00